

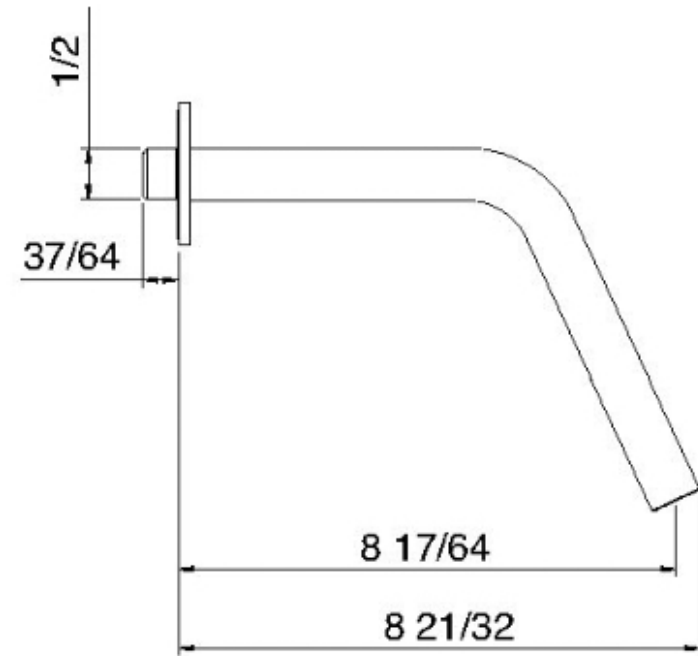
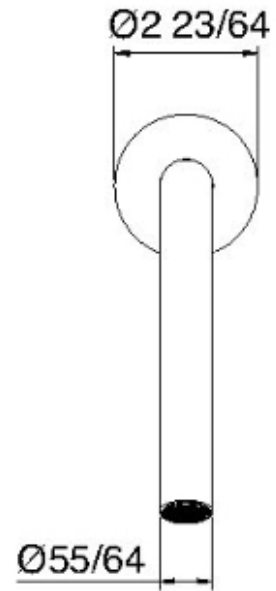
1161HF

High flow Long high flow wallmount spoutwallmount spout

FINISHES:



FROSTED INOX



RUBINETTERIE
tremme
instruments for water